

XPR35 Series

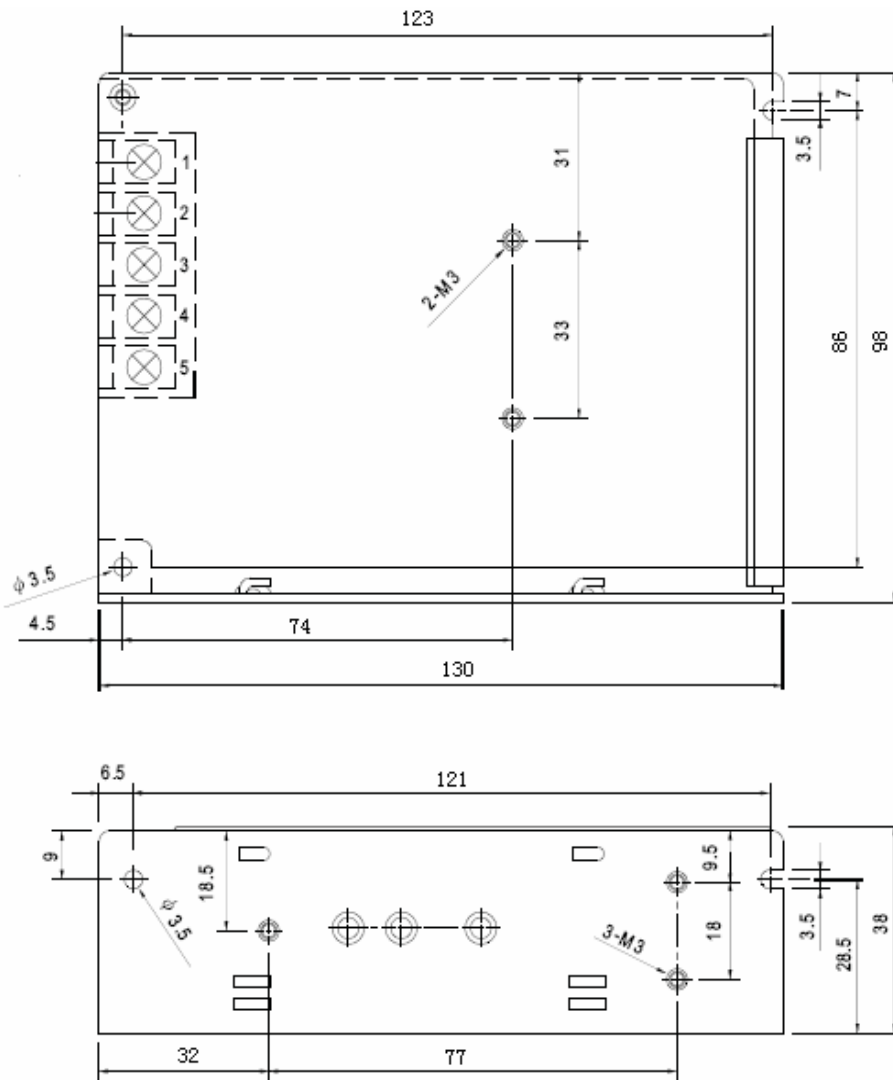


- Single output
- High reliability, low-power and high efficiency
- Universal AC input / Full range
- 100% full load burn-in test
- Protections: Over voltage/Over load /Short circuit
- 2 year warranty

SPECIFICATIONS

ITEMS		MODEL	XPR35-A-5	XPR35-A-12	XPR35-A-15	XPR35-A-24
OUTPUT	RATED VOLTAGE		5V	12V	15V	24V
	VOTAGE ADJ. RANGE		4.75V~5.25V	10.8~13.2V	13.5~16.5V	21.6~26.4V
	RATED CURRENT		7A	3A	2.4A	1.5A
	RATED POWER		35W	35W	35W	35W
	RIPPLE&NOISE(max)		50 mV	100 mV	100 mV	100 mV
	LINE REGULATION(max)		±2%	±1%	±1%	±1%
	LOAD REGULATION(max)		±2%	±1%	±1%	±1%
	HOLD UP TIME(Typ.)		20ms/ 230V			
INPUT	EFFICIENCY(Typ.)		70%	76%	78%	78%
	VOLTAGE RANGE		85~264VAC			
	INRUSH CURRENT(Typ.)		20A/40A (AC115V/230V)			
PROTECTION	OVER CURRENT		105%rated output current			
	OVER VOLATAGE		115%~150% rated output voltage			
ISOLATION	WITHSTAND VOTAGE		I/P-0/P	1.5KVAC (10mA)		
			I/P-FG	1.5KVAC (10mA)		
			0/P-FG	500VAC (20mA)		
ISOLATION	ISOLATION RESISTANCE		I/P-0/P	500VDC	>100M Ω	
			I/P-FG	500VDC	>100M Ω	
			0/P-FG	500VDC	>100M Ω	
ENVIRONMENT	WORKING TEMP.		-10~60°C (Refer to output load derating curve)			
	STORAGE TEMP.		-20~75°C			
	STORAGE HUMIDITY		10~95%RH(non-condensing)			
REFERENCE STANDARDS	EMC STANDARDS		Compliance to EN55011,EN55022 class B EN61000-3-2,3, EN61000-4-2,3,4,5,6,8,11			
	SAFETY STANDARDS		Compliance to UL60950 , EN60950			
OTHERS	COOLING		Free air convection			
	MTBF (h)		≥200,000			
	DIMENSION		130*98*38 mm			

■ Mechanical Specification(mm)



■ Derating Curve

